



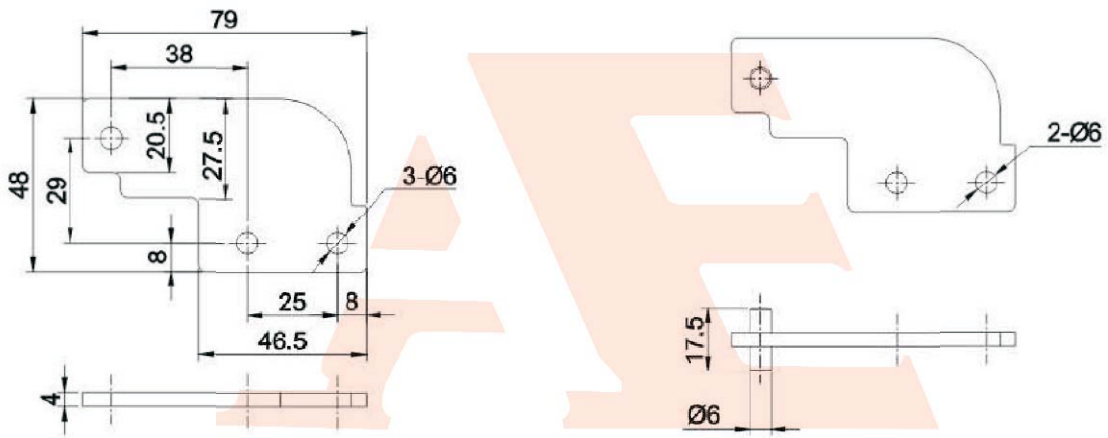
CL135

NEW



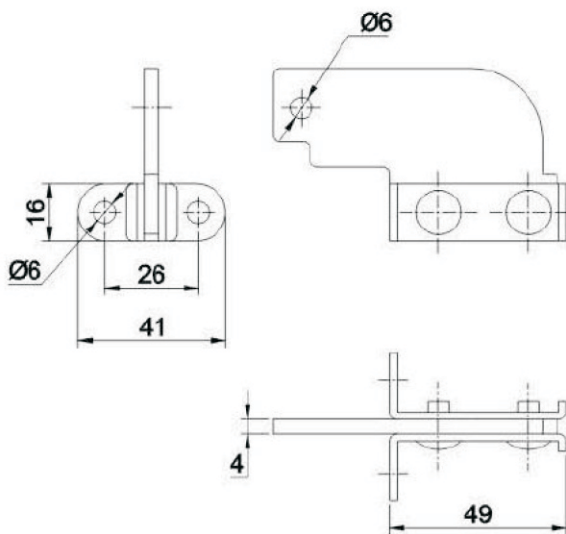
材质及表面处理: 黑色冷轧钢铰链.

Material and finish: Black powder coated steel hinge;

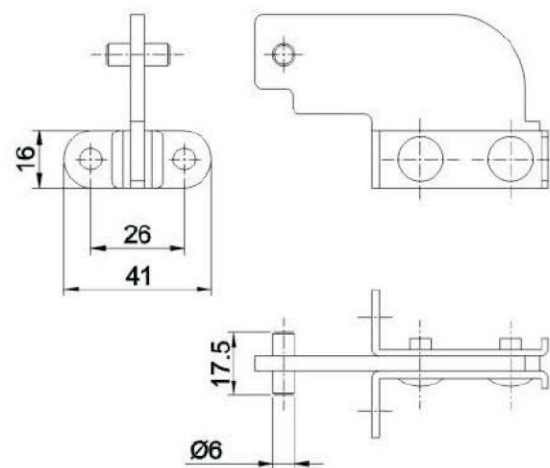


CL135-1

CL135-2



CL135-3



CL135-4