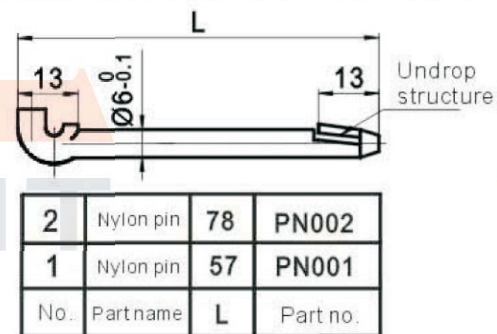
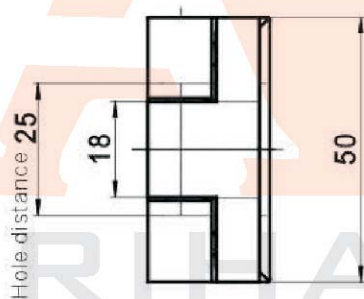
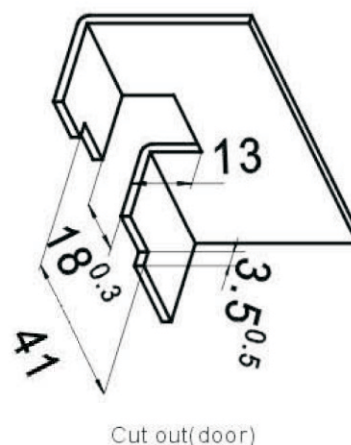
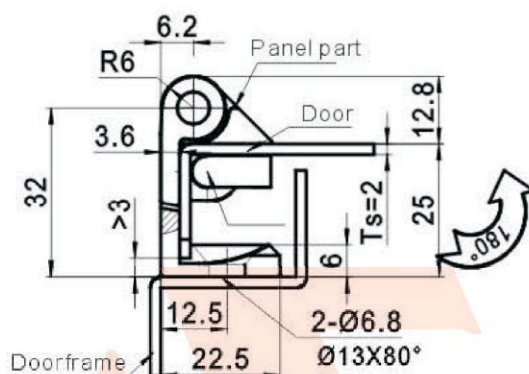




CL264



| | | | |
|-----|-----------|----|----------|
| 2 | Nylon pin | 78 | PN002 |
| 1 | Nylon pin | 57 | PN001 |
| No. | Part name | L | Part no. |

Nylon pin for selection

Main material and finish: Black powder coated ZDC hinge; Stainless steel washer; Nickel plated steel shaft.