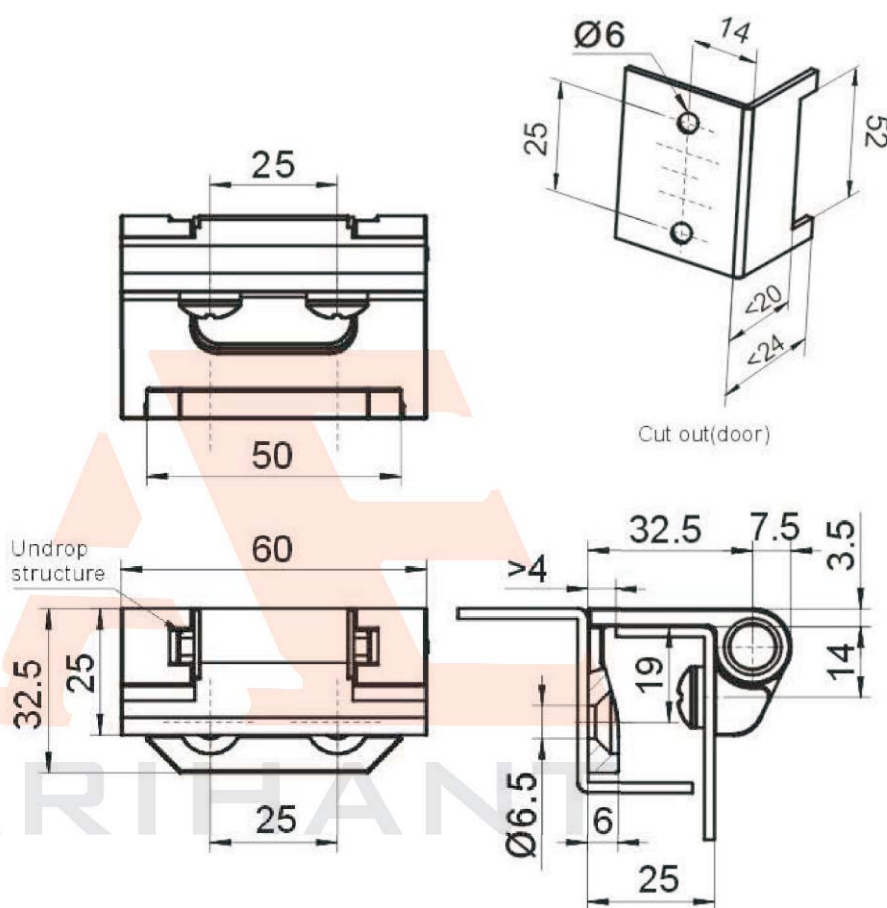




CL213-3



NEW



Main material and finish: Black powder coated ZDC hinge; PA shaft.

Remarks: PA pin for selection.