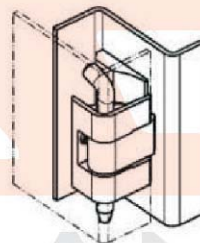
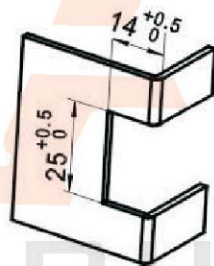
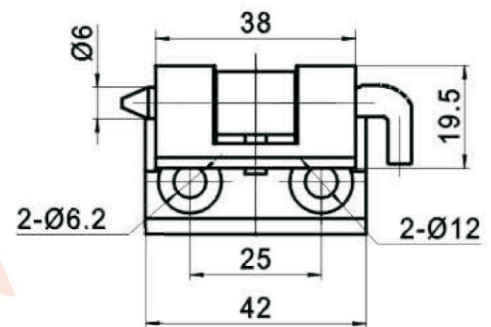
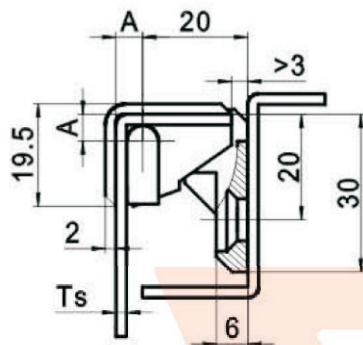
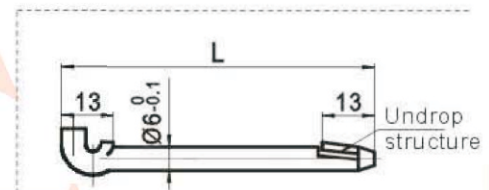




CL212



Cut out



2	Nylon pin	78	PN002
1	Nylon pin	57	PN001
No.	Part name	L	Part no.

Nylon pin for selection

Main material and finish: Black powder coated ZDC hinge; Nickel plated steel shaft;

Remarks: PA pin for selection.

CL212-3	Ts=1.5mm	4.6
CL212-2	Ts=3mm	6.1
CL212-1	Ts=2mm	5.1
CODE	SPECIFICATION	A