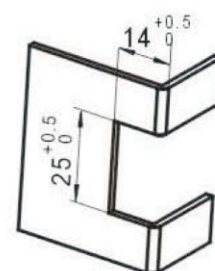
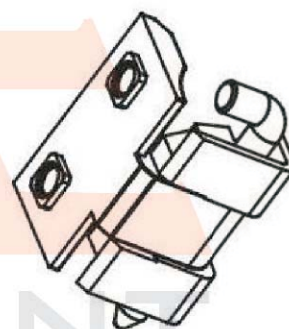
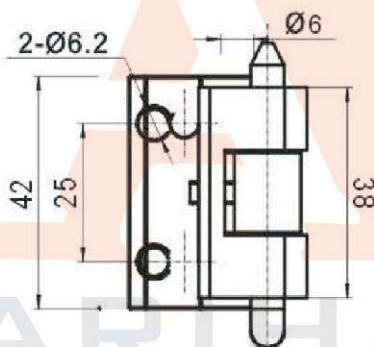
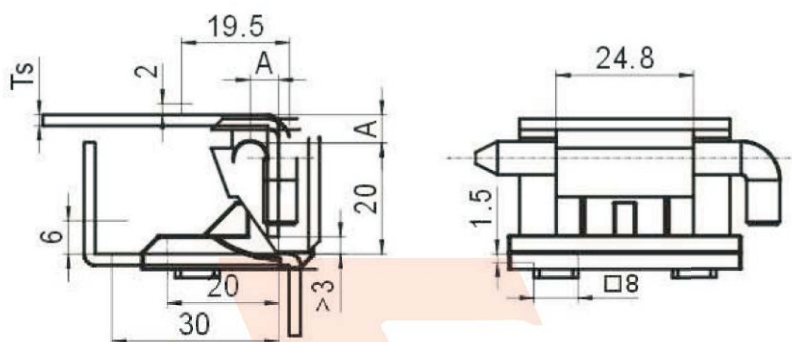




CL212-3B



NEW



Cut out(door)

Main material and finish: Black powder coated ZDC hinge; Nickel plated steel shaft.

Remarks: PA pin for selection.

CL212-3B-3	Ts=1.5mm	4.6
CL212-3B-2	Ts=3mm	6.1
CL212-3B-1	Ts=2mm	5.1
CODE	SPECIFICATION	A