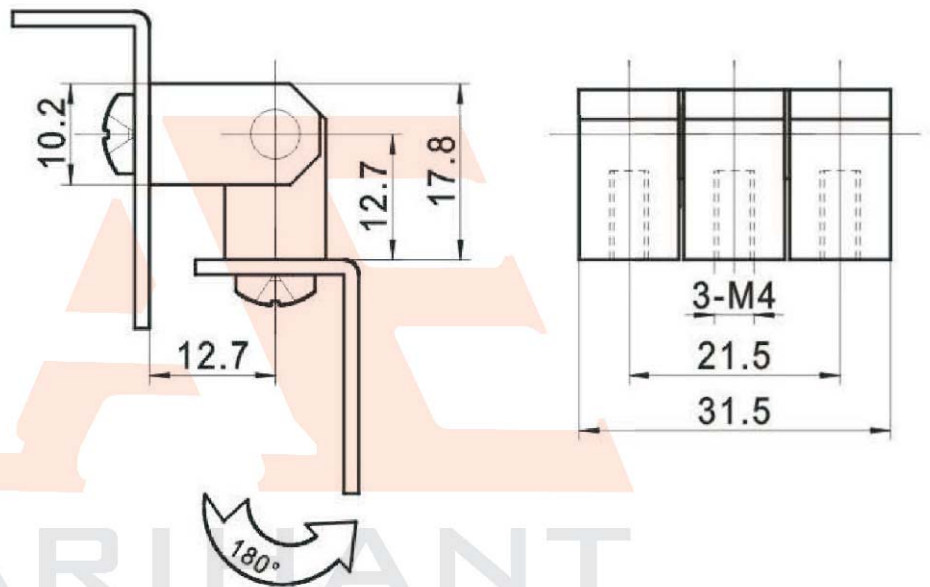




CL206-4



Main material and finish: Black powder coated ZDC hinge; Zinc plated steel shaft and washer.