

LOCKING

HINGING

LATCHING

SEALING

FASTENING



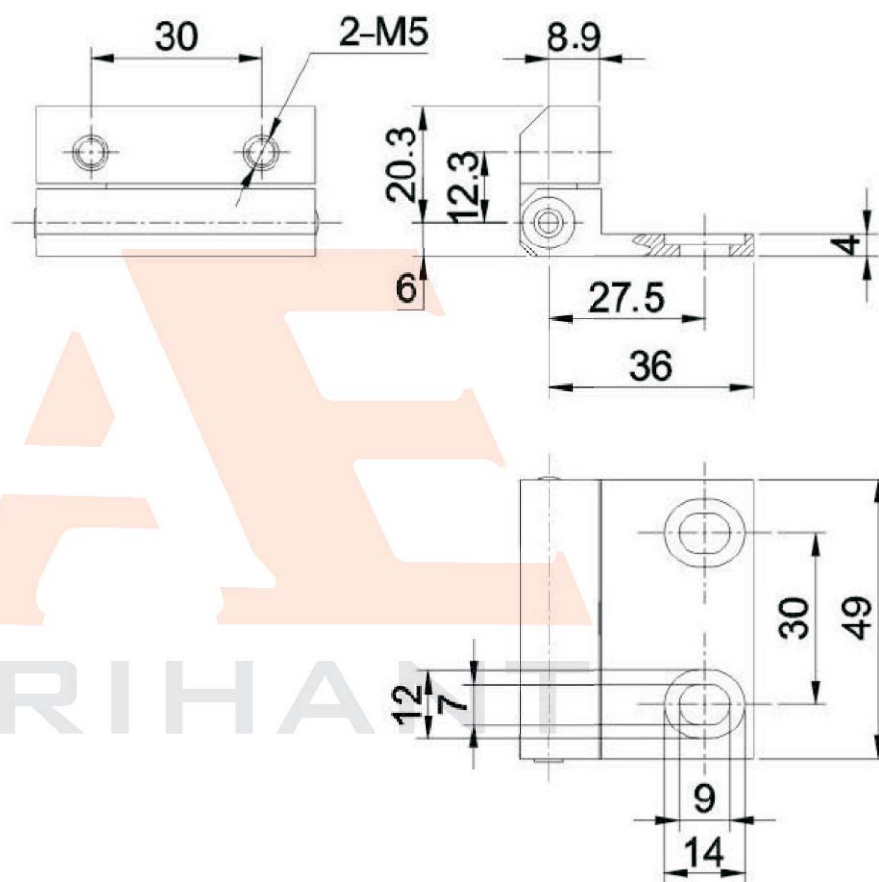
ARIHANT

Create Your Value

E-mail: info@aelocks.in // Website: www.aelocks.in

CL123

NEW



材质及表面处理: 黑色铝合金铰链, 镀镍钢转轴。

Material and finish: Black powder coated aluminum hinge, nickel-plated shaft.