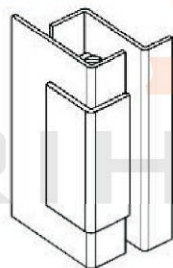
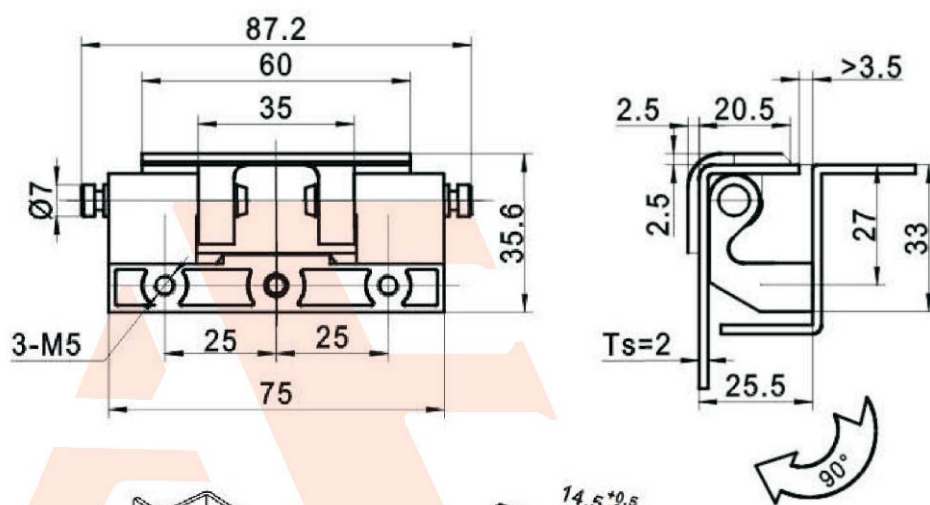
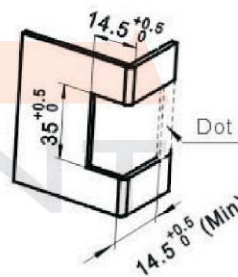




CL236



Example of application



Cut out (door)

Main material and finish: Black powder coated ZDC hinge;
Zinc plated steel shaft.