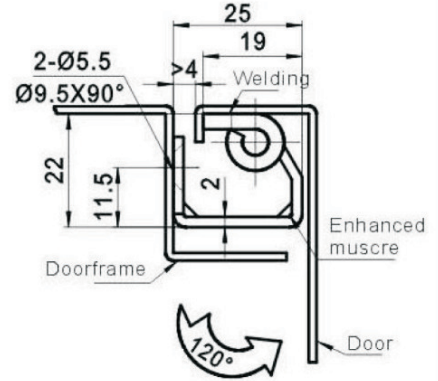
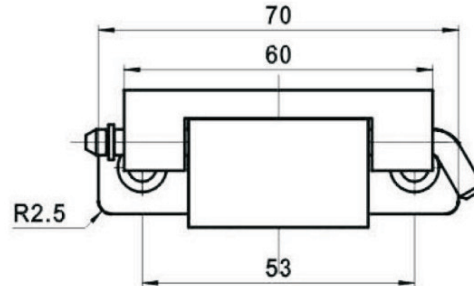
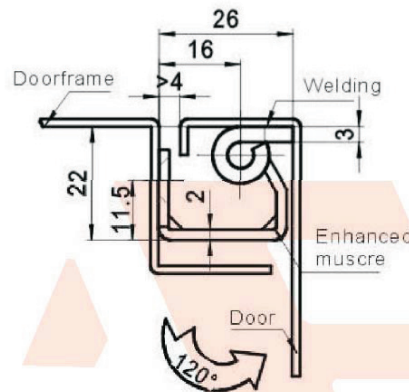




CL275-1



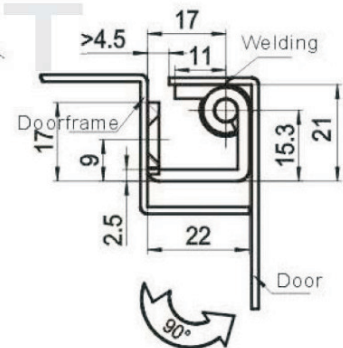
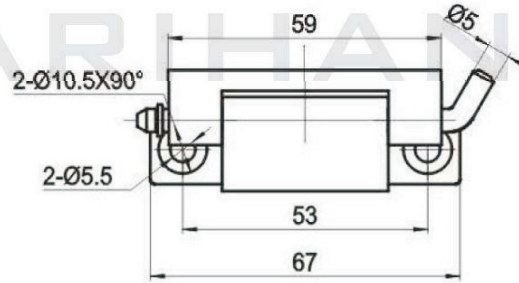
Example of application 1



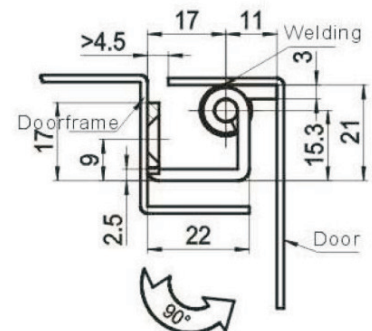
Example of application 2

Main material and finish: Zinc plated steel hinge.

CL275-2



Example of application 1



Example of application 2

Main material and finish: Zinc plated steel hinge.