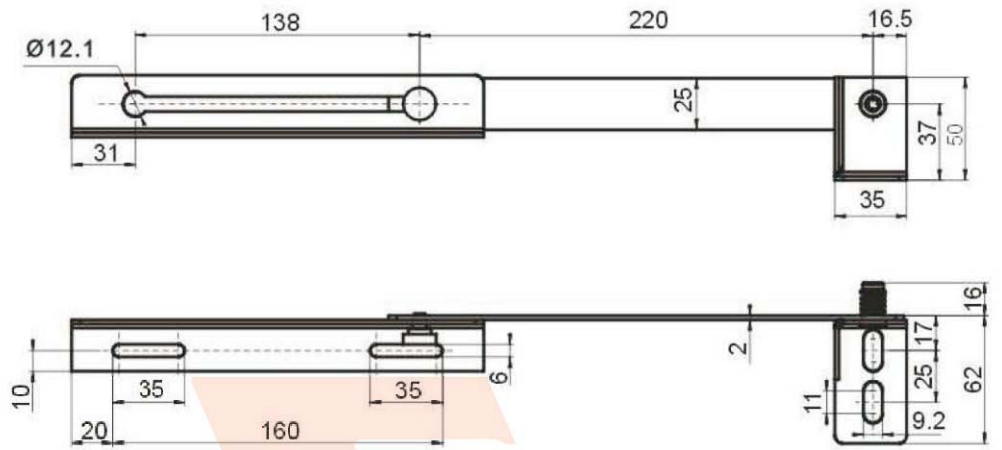




TX92-1

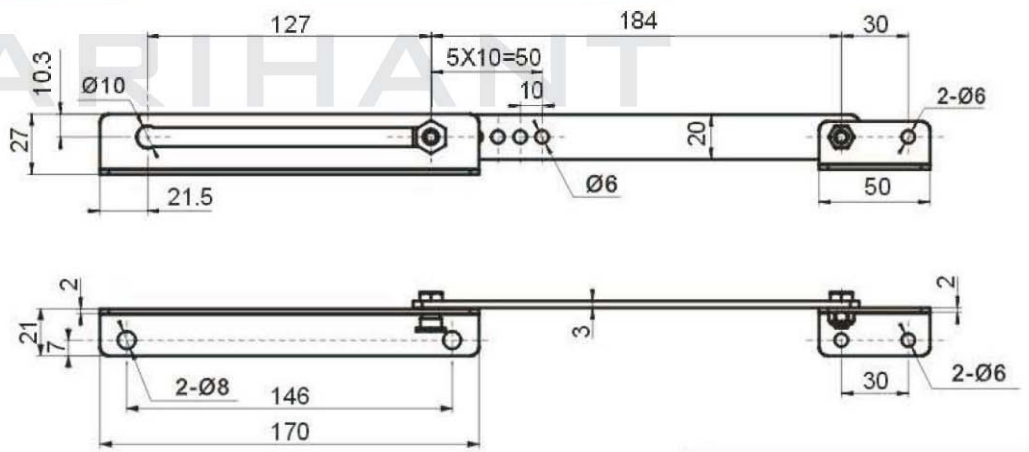
NEW



Main material and finish: Stainless steel.

TX92-2

NEW



Main material and finish: Stainless steel.

