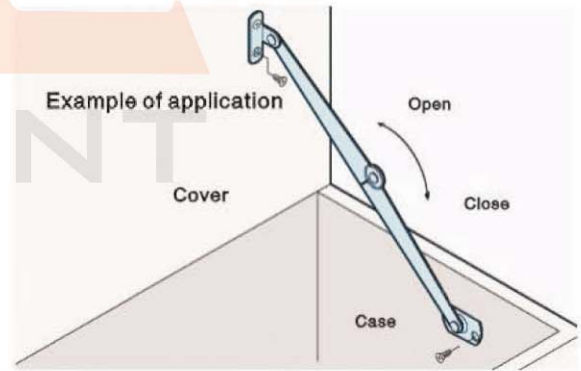
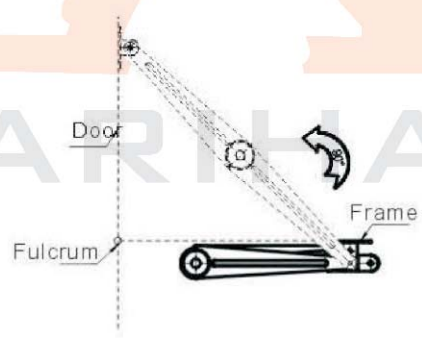
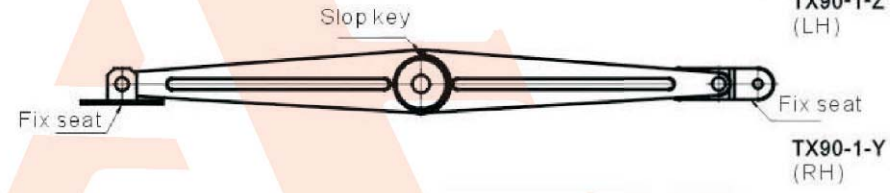
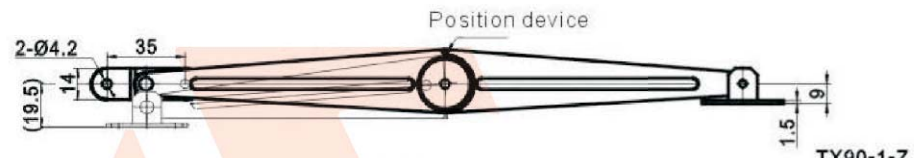
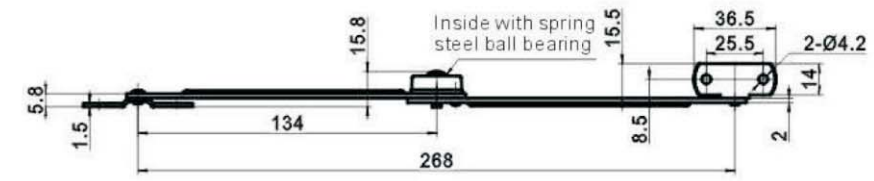




TX90-1



Main material and finish: Nickel plated steel.