



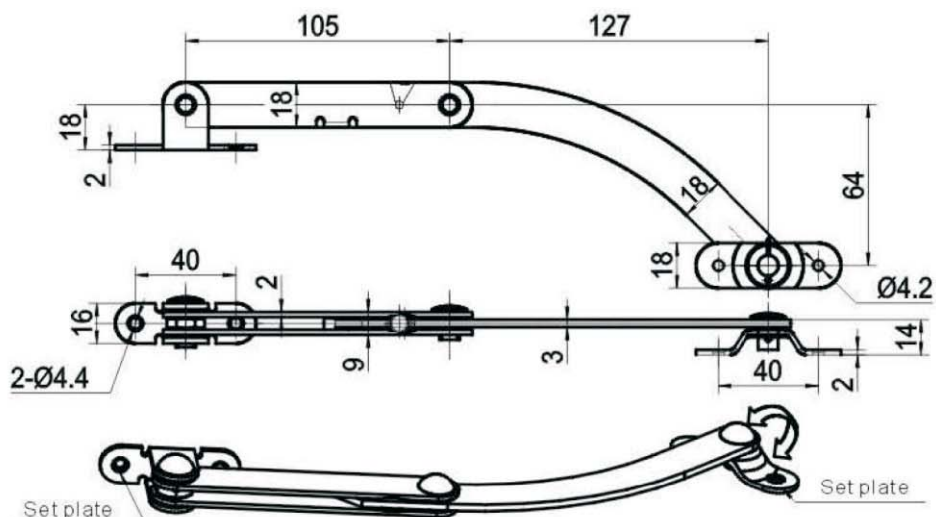
TX80



TX80-1



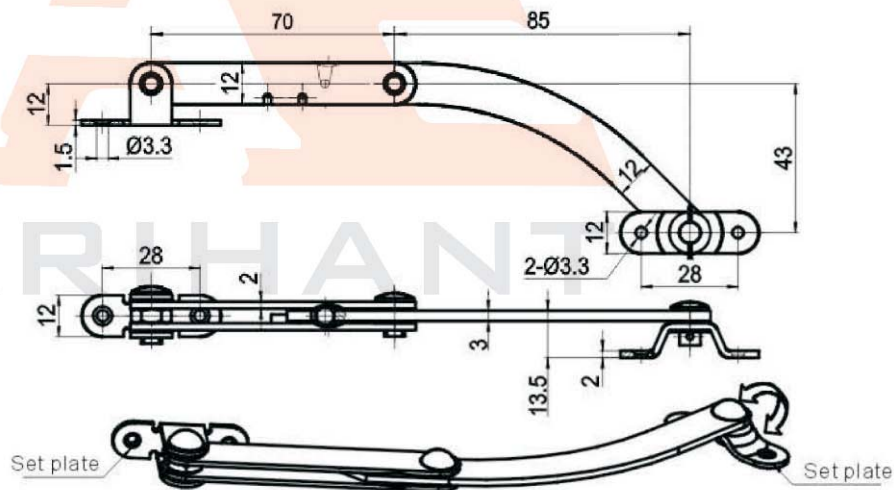
TX80-2



LH

TX80-1

Remarks: Change the place of set plate can be RH or LH door opened.



LH

TX80-2

Remarks: Change the place of set plate can be RH or LH door opened.

Main material and finish: Nickel plated steel.

Example of application

