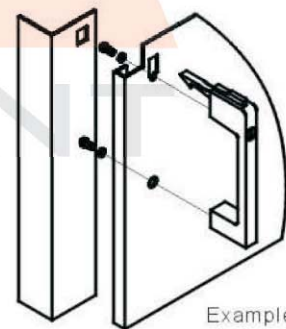
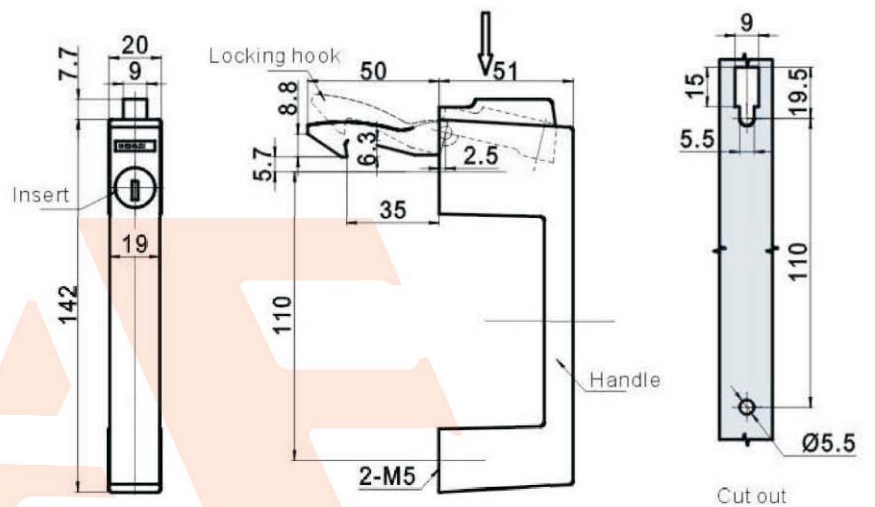




LS501



Example of application

**Main material and finish:** Gray chrome plated handle and hook; Stainless steel spring.

**Remarks:** Default Key K03.